

## Cleaning Instructions:

You have acquired a high quality product so we recommend for preservation: use damp cloth or flannel, refrain from using steel wool for cleaning as well as solvents or chemicals.

# WARRANTY

Date of purchase: \_\_\_\_\_

Name of the buyer: \_\_\_\_\_

Name and stamp Store: \_\_\_\_\_

This warranty protects you against any manufacturing defect that may arise in the course of one year after the date of purchase. Repair resulting from the defect will be made at no cost to the presentation of this warranty. The repair will take place in the not later than 30 working days from receipt of the product.

- This warranty does not cover repairs for damage caused by misuse or improper installation.

- This warranty is only valid when they are properly annotated all references indicated.

THIS WARRANTY MUST BE BROUGHT TOGETHER WITH NOTE OF PURCHASE OR ITS RESPECTIVE INVOICE AND WILL BE VALID AT THE STORE WHERE WAS ACQUIRED OR AT SERVICE CENTER LOCATED IN:



Intercon, Inc.  
635 N. Billy Mitchell Rd.  
Salt Lake City, Utah 84116  
(801) 364-2504  
support@intercon1.com

# DANGER

**FOR ANY REASON, DO NOT ALLOW TO JUMP OR PLAY IN THE BUNK  
DO NOT USE WATER MATTRESS, DO NOT USE UNTIL THIS MANUAL WILL BE READ**

## ⚠ WARNING

To help to prevent serious or fatal injuries from entrapment or falls:

- Never allow a child under 6 years on upper bunk.
- Use only mattress which is 74" - 75" long and 37 1/2" - 38 1/2" wide on upper bunk and lower bunk.
- Ensure thickness of mattress and foundation combined does not exceed 8 1/2" and mattress is at least 5" below upper edge of guardrails.
- Use guardrails on both side of upper bunk.
- Prohibit horseplay on or under bed(s).
- Prohibit more than one person on upper bunk.
- Use ladder for entering and leaving upper bunk.

**STRANGULATION HAZARD** - Never attach or hang items to any part of the bunk bed that are not designed for use with the bed; for example, but no limited to, hooks, belts and jump ropes.

## ⚠ WARNING

To help to prevent serious or fatal injuries from entrapment or falls:

- Never allow a child under 6 years on upper bunk.
- Use only mattress meeting the following specifications on upper bunk and lower bunk:

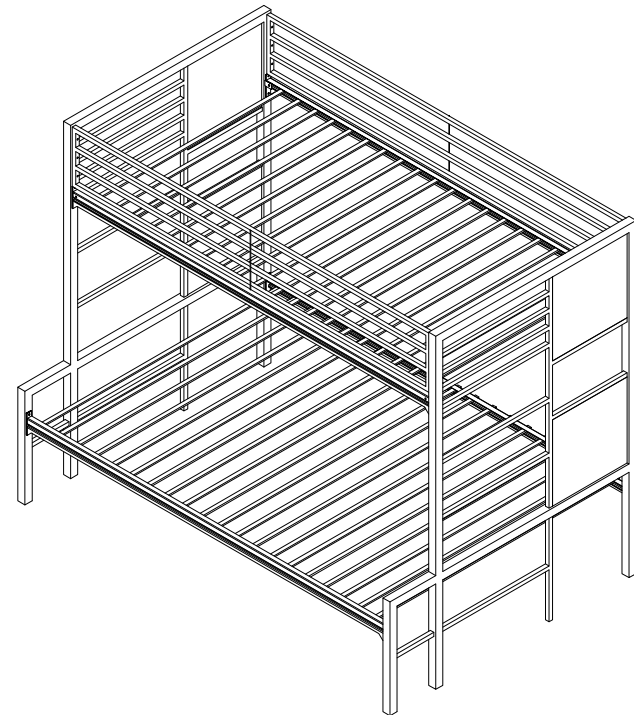
Bed Type	Length	Twin Width	Full Width
Standard Length	74" - 75"	37 1/2" - 38 1/2"	53 1/2" - 54 1/2"
Extra Long	79" - 80"	37 1/2" - 38 1/2"	53 1/2" - 54 1/2"
- Ensure thickness of mattress and foundation combined does not exceed 8 1/2" and mattress is at least 5" below upper edge of guardrails.
- Use guardrails on both side of upper bunk.
- Prohibit horseplay on or under bed(s).
- Prohibit more than one person on upper bunk.
- Use ladder for entering and leaving upper bunk.

**STRANGULATION HAZARD** - Never attach or hang items to any part of the bunk bed that are not designed for use with the bed; for example, but no limited to, hooks, belts and jump ropes.



**INTERCON**  
FURNITURE FOR LIFE

# ASSEMBLY MANUAL TWIN / FULL BUNK

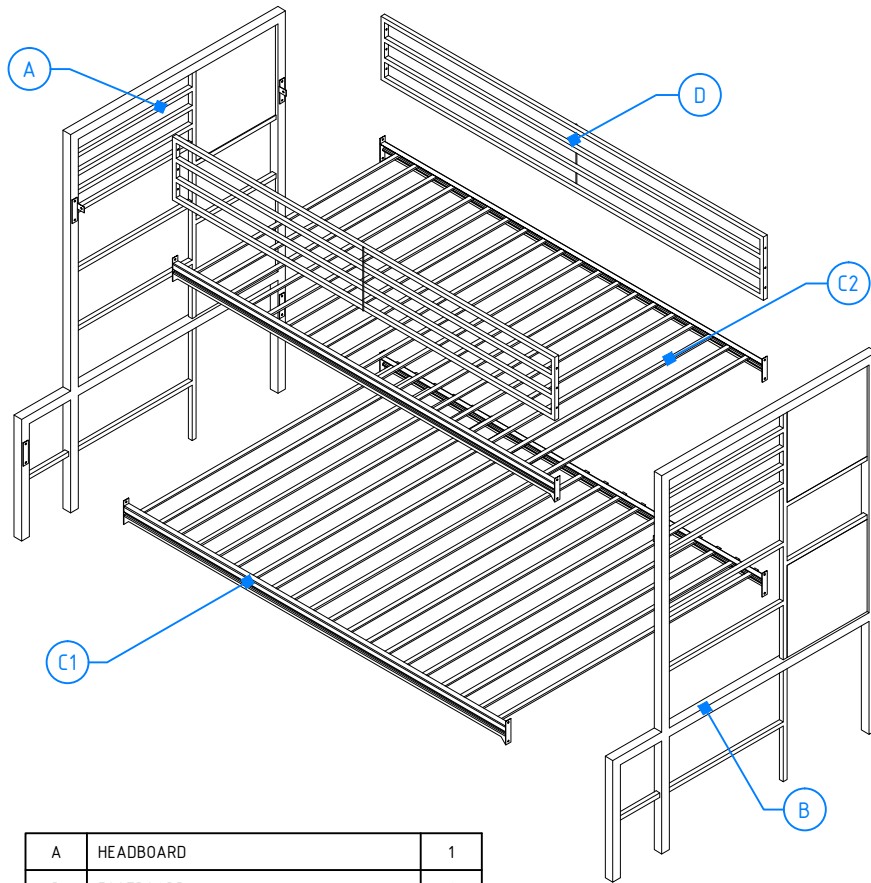


**MADE IN MEXICO**

[www.intercon-furniture.com](http://www.intercon-furniture.com)

## Parts List

## Assembly Twin / Full Bunkbed



A	HEADBOARD	1
B	FOOTBOARD	1
C1	BOTTOM PLATFORM (FULL)	1
C2	TOP PLATFORM (TWIN)	1
D	GUARDRAIL	2
E	HEX SCREW 5/16" x 3/4"	16
F	BLACK SCREW PHILLIPS 1/4" x 2"	4
G	BLACK WASHERS 1/4"	4
H	BLACK PRESSURE WASHERS 1/4"	4
I	BLACK HEXAGONAL NUTS 1/4"	4
J	BLACK SCREW PHILLIPS 1/4" x 1 1/2"	12

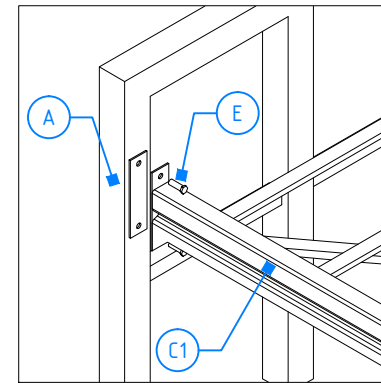


Fig. 1

### Step 1

Place the bottom platform (C1) in to the holes of headboard (A) and footboard (B) and securing them with the supplied screws (E). Fig 1.

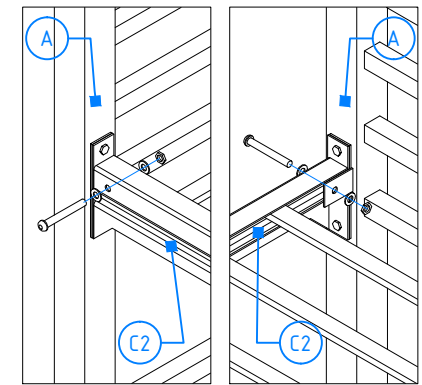


Fig. 2

### Step 2

Do the same with the top platform (C2) and reinforce with the screws, washers and nuts (F+G+H+I) in the four corners. Fig 2.

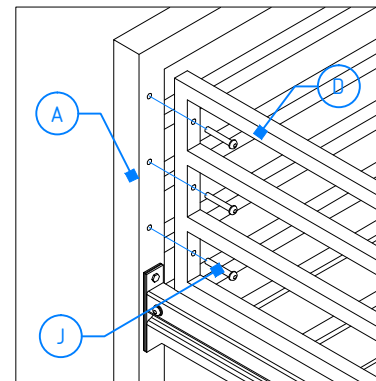


Fig. 3

### Step 3

Position the guardrails (D) by aligning the holes with those of the headboard (A) and footboard (B) securing them with the supplied screws (J). Fig 3.